



Installation instructions

Akrapovič Exhaust Systems:

Evolution

for the

KTM SX-F 250

KTM XC-F 250

KTM XCF-W 250



503012

Congratulations on purchasing an Akrapovič exhaust system. Please read the entire installation manual prior to undertaking any activities related to installation of your new Akrapovič exhaust system. In case you do not fully understand the manual or any of its parts, please contact your authorized dealer!

This product should be installed by someone with sufficient knowledge of exhaust systems and their installation, and appropriate hand or power tools. If you are not qualified for this work, please utilize a certified mechanic for installation. By installing Your Akrapovič exhaust system, you indicate that you have read the installation manual in its entirety and you agree with the terms stated herein.

It is your responsibility to follow all installation instruction guidelines supplied with the Akrapovič exhaust system and undertake all necessary safety precautions. Akrapovič d.d. assumes no responsibility for damages occurring from misuse, abuse, improper installation, improper operation, lack of responsible care, or all previously stated reasons resulting from incompatibility with other manufacturer's products and/or systems.

IMPORTANT INFORMATION

Exclusion of Certain Liability

1. The manufacturer, importer or dealer shall not be liable for any incidental damage including personal injury or any other damages caused by improper installation or operation of the Akrapovič exhaust system. When installing the Akrapovič exhaust system be careful that the exhaust system does not touch other parts sensitive to high temperature.
2. Akrapovič makes no representation or warranties with regard to damage caused by the improper installation, use and maintenance of the Akrapovič exhaust system. The warranty is limited to defects recognized by our technical department and due to normal use, and excludes items subject to normal wear (gaskets and damping wool). The guarantee is void in case of accident, modification, improper or competition use.
3. Do not attempt to install the Akrapovič exhaust system on a vehicle model for which it was not made or tested by Akrapovič.
4. When the exhaust system gets very hot during operation, be careful not to burn yourself on the exhaust system or parts which are in direct contact with it, even when the engine is not running. Also protect other people, especially children, from the injuries mentioned above.
5. In some cases Akrapovič exhaust system kits contain chemical products (ceramic anti-seizing grease; bolt sealant). Handle with care, do not inhale or swallow. Avoid excessive contact with skin, eyes or mucous membranes. Keep out of reach of children.
6. Technical specifications of Akrapovič exhaust systems and related products are subject to change without notice.
7. Before removing the original exhaust system from your vehicle, please compare the parts you received with the list of materials provided in the installation manual in order to assure that you have all the parts necessary for the installation of your new Akrapovič exhaust system.
8. Although this manual consists of instructions for installation in written form, as well as photographs and pictures representing individual steps of the installation, please note that the photographs and pictures are symbolic and are intended for representation of general overview only. The photographs and pictures contained herein should serve as a guideline only and actual installation of the exhaust system may not correspond with the photographs and pictures entirely.
9. The process of uninstalling the original exhaust system may vary depending on the existing exhaust system. Please follow the original exhaust system manufacturer's instructions for uninstalling the original exhaust system.

Trademarks

The Akrapovič Exhaust System Technology logo is a registered trademark of Akrapovič d.d.

Akrapovič website

Information about Akrapovič exhaust systems and related products is available on the Akrapovič website at: <http://www.akrapovic.com/>

Copyright

No part of the Akrapovič exhaust system or its documentation may be reproduced or distributed in any form or by any means without the prior written authorization of the Akrapovič company.

© Akrapovič, d.d. All rights reserved.

Symbols

The following symbols are used throughout these installation instructions:



CAUTION OR WARNING



INSTALLATION TIP



USE BOLT SEALANT; Apply 3 to 4 small drops of bolt sealant onto the cleaned and degreased threads before tightening the bolts. **WARNING! Avoid contact with skin, eyes and mucous membranes. Do not inhale fumes. Keep out of reach of children.**



USE ANTI-SEIZE LEAD-FREE COPPER PASTE (black tube); Provides trouble-free and long-lasting protection against seizing, corrosion and rusting of bolts, threaded ends, nuts, joints, etc. Also protects against vibration, wear and impact. **WARNING! Avoid eye contact. Avoid excessive skin contact. Keep out of reach of children.**



USE ANTI-SEIZING GREASE (white tube); Prevents seizing, corrosion and excessive wear between the titanium components of your exhaust system. **WARNING! Avoid eye contact. Avoid excessive skin contact. Keep out of reach of children.**



BEFORE INSTALLING, CHECK SCHEMATIC OF THE EXHAUST SYSTEM!



IF ANY ITEMS IN THE AKRAPOVIČ EXHAUST SYSTEM PACKAGE ARE MISSING, PLEASE CONTACT YOUR AUTHORIZED DEALER. KEEP THE SCHEMATIC FOR FUTURE REFERENCE.



THESE INSTALLATION INSTRUCTIONS MUST BE READ CAREFULLY IN ORDER TO ENSURE PROPER INSTALLATION AND OPERATION OF THE AKRAPOVIČ EXHAUST SYSTEM.



THE EXHAUST SYSTEM CAN BE EXTREMELY HOT. ALLOW THE EXHAUST AND ENGINE TO COOL DOWN BEFORE BEGINNING INSTALLATION.



WE ADVISE YOU TO LEAVE INSTALLATION TO A QUALIFIED SERVICEMAN. IMPROPER INSTALLATION MAY RESULT IN A SHORTER LIFETIME OF THE EXHAUST SYSTEM AND/OR DAMAGE TO THE VEHICLE.

Scope of supply for SXS titanium header

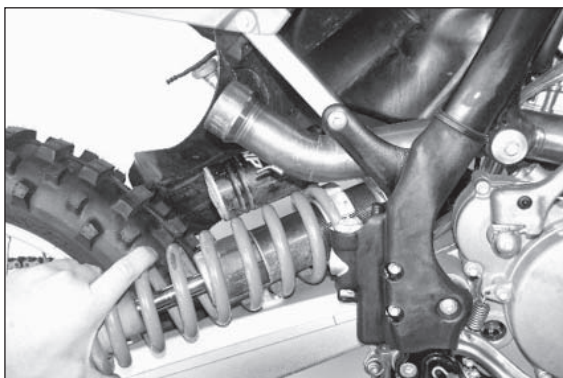
- 2x Titanium header pipe
- 1x Exhaust flange
- 4x Tension spring
- 1x Spacing washer, 4mm (not needed to mount on 250EXCF)
- 1x HH collar screw, M8x20

Scope of supply for SXS stainless steel header

- 2x Stainless steel header pipe
- 1x Exhaust flange
- 4x Tension spring
- 1x Spacing washer, 4mm (not needed to mount on 250EXCF)
- 1x HH collar screw, M8x20

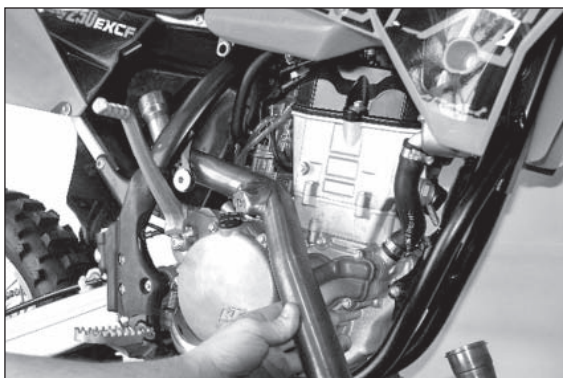
Scope of supply for Sparky silencer

- 1x Titanium silencer with Sparky insert
- 1x Front clamp (TZ 5)
- 1x Rear clamp (TZ 6)
- 1x HH collar screw, M6x50
- 1x HH collar screw, M6x25
- 2x Washer DIN125 A6.4
- 1x spacing washer 24x3mm for front fastening clamp
- 1x spacing washer 24x5mm for rear fastening clamp



Mounting the header

- Dismount the production silencer and shock absorber.

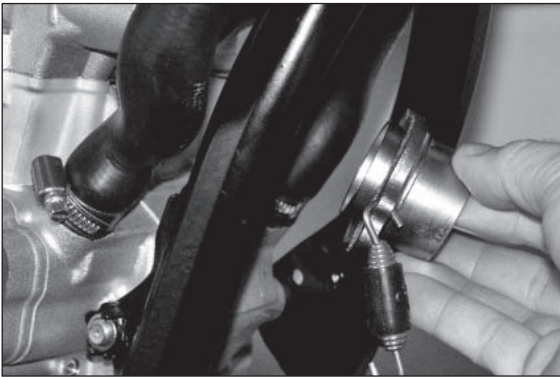


- Dismount the production header and exhaust flange.

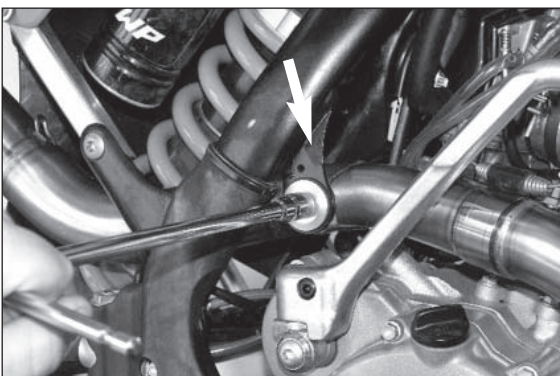
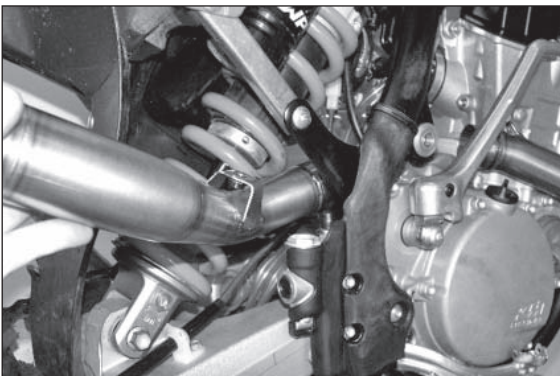




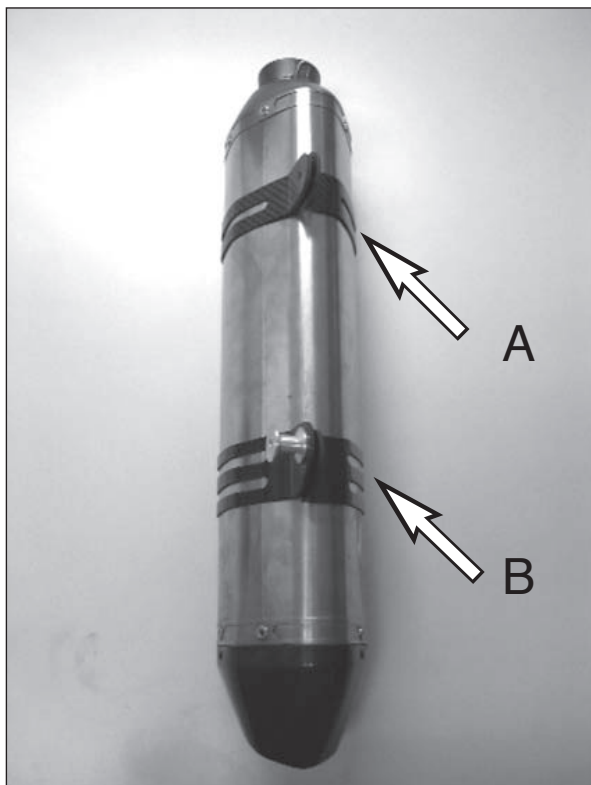
- Mount the Akrapovic exhaust flange with the gasket (see photo).



- Mount the shock absorber, mount the Akrapovic header pipes, align and fasten with the exhaust springs included in the scope of supply.



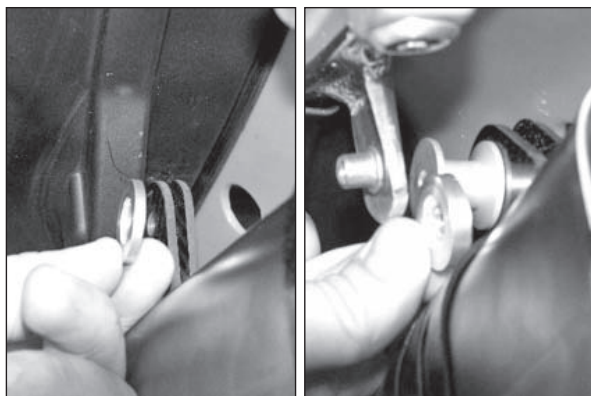
Caution: do not tighten the M8x20 screw included in the scope of supply until the exhaust system is completely mounted tension-free.



Attaching the silencer

- Attach the clamps included in the scope of supply to the silencer (see photo), connect to the header and hold in place with the tension spring included in the scope of supply.

Front clamp (A) (TZ 5)
Rear clamp (B) (TZ 6)



Use the M6x25 with DIN125 A6.4 washer for the front clamp.
Use the M6x50 with DIN125 A6.4 washer for the rear clamp.

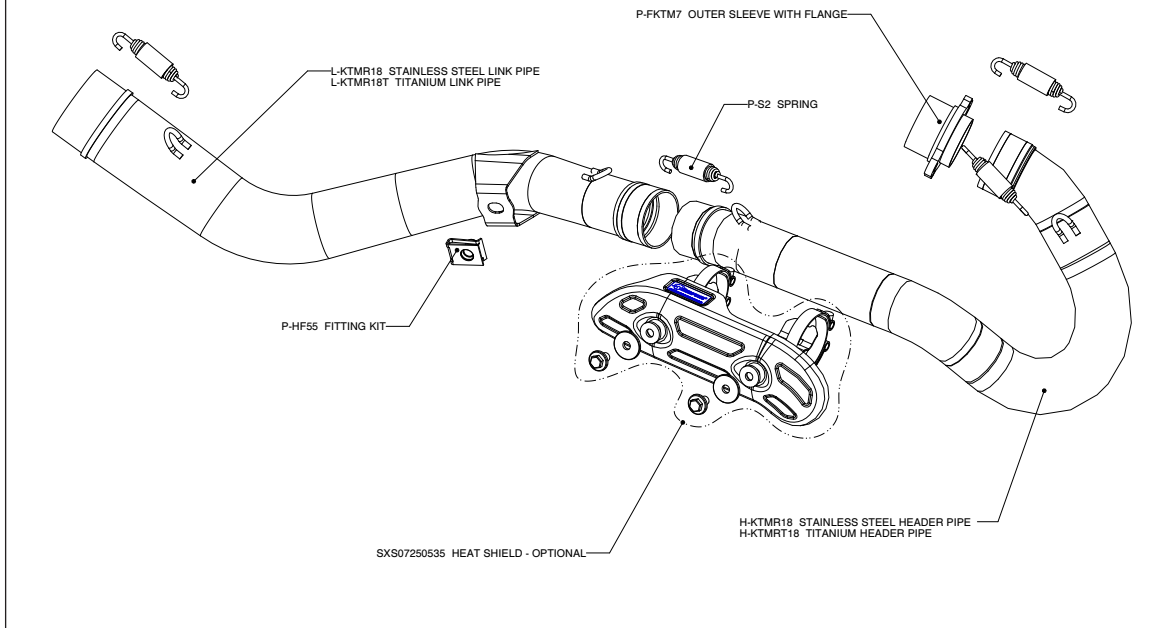
Warning (applies to EXC 08 and later models):
Use the 24x3mm spacing washer for the front fastening clamp and the 24x5mm spacing washer for the rear fastening clamp (see photo).

Align the entire exhaust system and tighten all of the fixing screws.

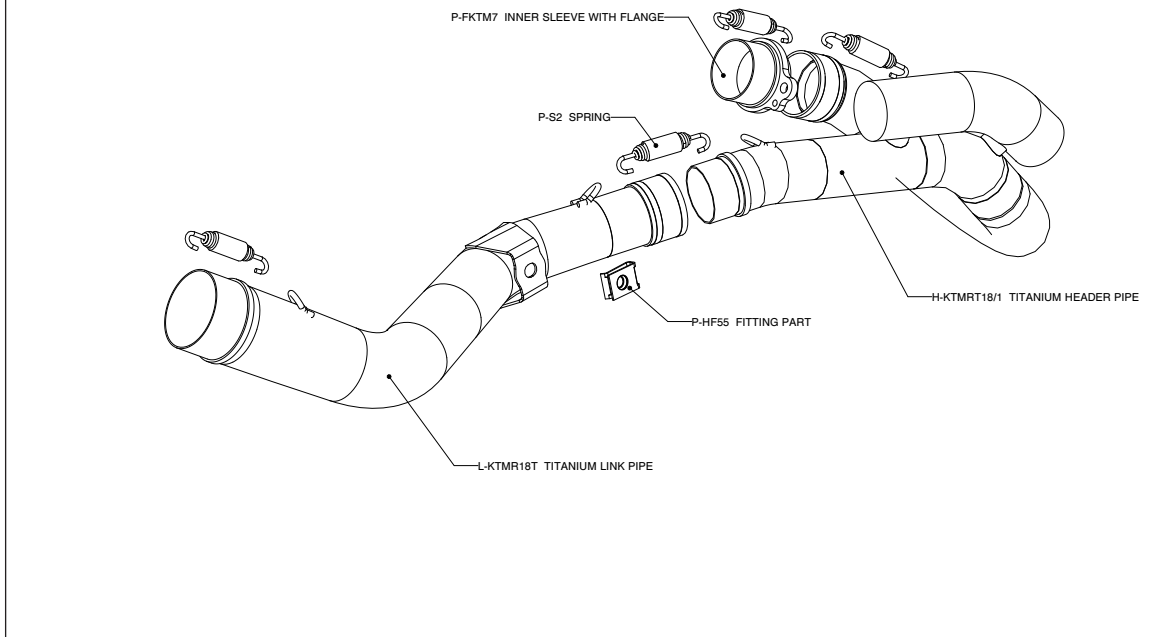
Service

The rockwool in the silencer must be replaced every 15 hours for competitive racing and every 30 hours for amateur racing (see spare parts for rockwool kit).

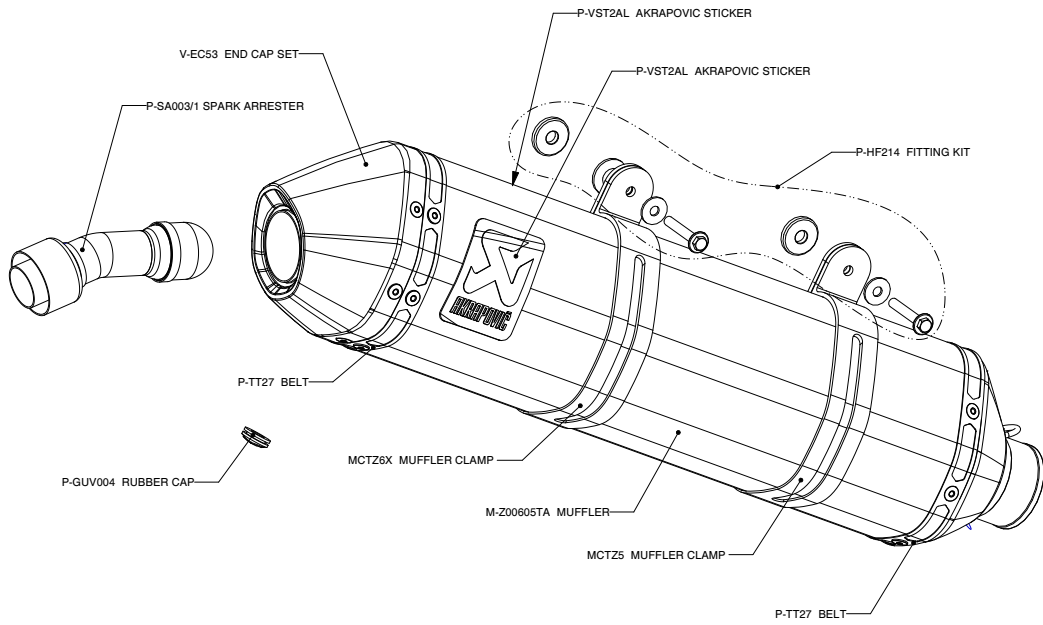
KTM SX-F 250, HEADER PIPE SET
KTM XC-F 250, HEADER PIPE SET
KTM XCF-W 250, HEADER PIPE SET
Product code: **SXS07250501** for SS
SXS07250500 for Titanium



KTM SX-F250, HEADER PIPE SET
KTM XC-F 250, HEADER PIPE SET
KTM XCF-W 250, HEADER PIPE SET
Product code: **SXS08250500**



KTM EXC-F 250, MUFFLER SET
Product code: SXS07250512



MUFFLER REPAIR KITS	
REPACK	P-RK123
REPAIR	P-RK123ZT42

