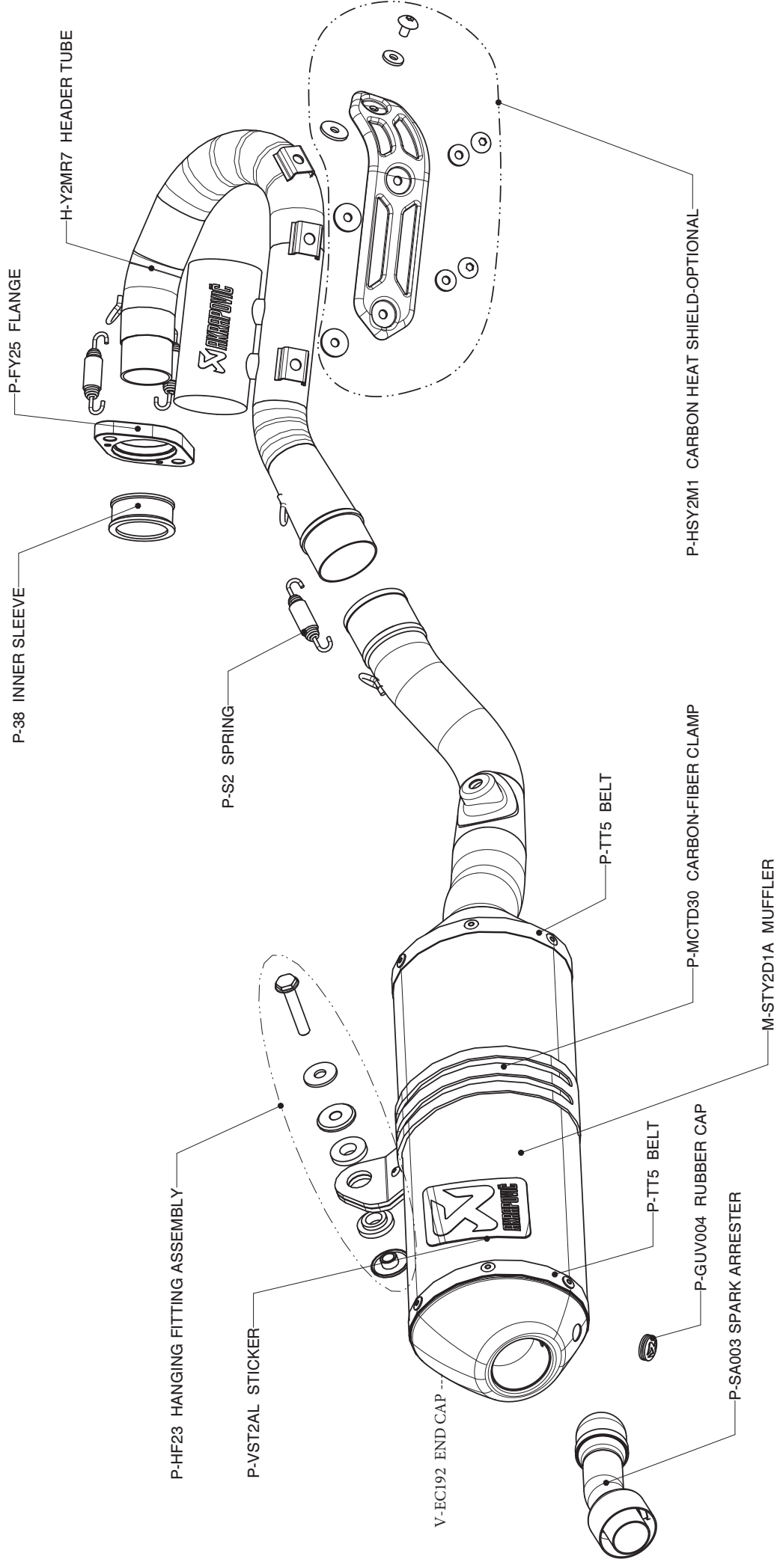


# YAMAHA WR 250F, Complete exhaust system/Racing line, with chamber

Product code: S-Y2MR7-DTA



MUFFLER REPAIR KITS	
REPACK	P-RPCK15
SLEEVE	P-RKS134TD40