



Installation instructions

Akrapovič Exhaust Systems:
Down-Pipe and Link-Pipe
for the
VW GOLF GTI (type Mk VI.)
VW GOLF 1.8TSI (type Mk VI.)

WARNING

Please note that certain aftermarket exhaust systems may not comply with applicable California laws and regulations, and may therefore be prohibited for use on California highways or roads, or on roads or vehicles otherwise subject to emissions control requirements.

Akrapovič exhaust systems for automobiles and motorcycles mounted downstream of the catalytic converter (also known as “cat-back systems”) are considered “replacement parts” in California by the California Air Resources Board (CARB), and do not require an exemption or executive order from CARB to be sold in California. However, California prohibits the use of any aftermarket exhaust system that modifies, removes or replaces original equipment catalysts, unless CARB has issued an Executive Order as to such part or system.

Further, Akrapovič parts or exhaust systems used or intended for use on “racing vehicles” (i.e. a competition vehicle used exclusively for competition on closed-course circuits) do not require an exemption or Executive Order from CARB to be sold in California. However, such parts are prohibited from use on California public highways or roads, even if occasionally used “off-road.”



Installation instructions

Akrapovič Exhaust Systems:

Down-Pipe and Link-Pipe

for the

VW GOLF GTI (type Mk VI.)

VW GOLF 1.8TSI (type Mk VI.)

Congratulations on purchasing an Akrapovič exhaust system. Please read the entire installation manual prior to undertaking any activities related to installation of your new Akrapovič exhaust system. In case you do not fully understand the manual or any of its parts, please contact your authorized dealer!

This product should be installed by someone with sufficient knowledge of exhaust systems and their installation, and appropriate hand or power tools. If you are not qualified for this work, please utilize a certified mechanic for installation. By installing Your Akrapovič exhaust system, you indicate that you have read the installation manual in its entirety and you agree with the terms stated herein.

It is your responsibility to follow all installation instruction guidelines supplied with the Akrapovič exhaust system and undertake all necessary safety precautions. Akrapovič d.d. assumes no responsibility for damages occurring from misuse, abuse, improper installation, improper operation, lack of responsible care, or all previously stated reasons resulting from incompatibility with other manufacturer's products and/or systems.

IMPORTANT INFORMATION

Exclusion of Certain Liability

1. The manufacturer, importer or dealer shall not be liable for any incidental damage including personal injury or any other damages caused by improper installation or operation of the Akrapovič exhaust system. When installing the Akrapovič exhaust system be careful that the exhaust system does not touch other parts sensitive to high temperature.
2. Akrapovič makes no representation or warranties with regard to damage caused by the improper installation, use and maintenance of the Akrapovič exhaust system. The warranty is limited to defects recognized by our technical department and due to normal use, and excludes items subject to normal wear (gaskets and damping wool). The guarantee is void in case of accident, modification, improper or competition use.
3. Do not attempt to install the Akrapovič exhaust system on a vehicle model for which it was not made or tested by Akrapovič.
4. When the exhaust system gets very hot during operation, be careful not to burn yourself on the exhaust system or parts which are in direct contact with it, even when the engine is not running. Also protect other people, especially children, from the injuries mentioned above.

1. In some cases Akrapovič exhaust system kits contain chemical products (ceramic anti-seizing grease; bolt sealant). Handle with care, do not inhale or swallow. Avoid excessive contact with skin, eyes or mucous membranes. Keep out of reach of children.
2. Technical specifications of Akrapovič exhaust systems and related products are subject to change without notice.
3. Before removing the original exhaust system from your vehicle, please compare the parts you received with the list of materials provided in the installation manual in order to assure that you have all the parts necessary for the installation of your new Akrapovič exhaust system.
4. Although this manual consists of instructions for installation in written form, as well as photographs and pictures representing individual steps of the installation, please note that the photographs and pictures are symbolic and are intended for representation of general overview only. The photographs and pictures contained herein should serve as a guideline only and actual installation of the exhaust system may not correspond with the photographs and pictures entirely.
5. The process of uninstalling the original exhaust system may vary depending on the existing exhaust system. Please follow the original exhaust system manufacturer's instructions for uninstalling the original exhaust system.

Trademarks

The Akrapovič Exhaust System Technology logo is a registered trademark of Akrapovič d.d.

Akrapovič website

Information about Akrapovič exhaust systems and related products is available on the Akrapovič website at:

<http://www.akrapovic.com/>

Copyright

No part of the Akrapovič exhaust system or its documentation may be reproduced or distributed in any form or by any means without the prior written authorization of the Akrapovič company.

© Akrapovič, d.d. All rights reserved.

Symbols

The following symbols are used throughout these installation instructions:



TOOLS REQUIRED



TIGHTENING TORQUE



INSTALLATION TIP



CAUTION OR WARNING



USE BOLT SEALANT; Apply 3 to 4 small drops of bolt sealant onto the cleaned and degreased threads before tightening the bolts. **WARNING! Avoid contact with skin, eyes and mucous membranes. Do not inhale fumes. Keep out of the reach of children.**



USE ANTI-SEIZE LEAD-FREE COPPER PASTE (black tube); Provides trouble-free and long-lasting protection against seizing, corrosion and rusting of bolts, threaded ends, nuts, joints, etc. Also protects against vibration, wear and impact. **WARNING! Avoid eye contact. Avoid excessive skin contact. Keep out of reach of children.**



USE ANTI-SEIZING GREASE (white tube); Prevents seizing, corrosion and excessive wear between the titanium components of your exhaust system. **WARNING! Avoid eye contact. Avoid excessive skin contact. Keep out of reach of children.**



T-handle swiveling 13 mm wrench
T-handle 17 mm wrench
Socket 13mm
Socket 16mm
Socket Torx XZN10
Combination 16mm wrench
Combination 22mm wrench
Impact air ratchet



BEFORE INSTALLING, CHECK SCHEMATIC OF THE EXHAUST SYSTEM! THE LATEST VERSION OF THE PARTS LIST AND SCHEMATIC DRAWINGS OF THE PRODUCTS ARE AVAILABLE ON OUR WEB PAGE.



IF ANY ITEMS IN THE AKRAPOVIČ EXHAUST SYSTEM PACKAGE ARE MISSING, PLEASE CONTACT YOUR AUTHORIZED DEALER. KEEP THE SCHEMATIC FOR FUTURE REFERENCE.



THESE INSTALLATION INSTRUCTIONS MUST BE READ CAREFULLY IN ORDER TO ENSURE PROPER INSTALLATION AND OPERATION OF THE AKRAPOVIČ EXHAUST SYSTEM.



THE EXHAUST SYSTEM CAN BE EXTREMELY HOT. ALLOW THE EXHAUST AND ENGINE TO COOL DOWN BEFORE BEGINNING INSTALLATION.



WE ADVISE YOU TO LEAVE INSTALLATION TO A QUALIFIED SERVICEMAN. IMPROPER INSTALLATION MAY RESULT IN A SHORTER LIFETIME OF THE EXHAUST SYSTEM AND/OR DAMAGE TO THE VEHICLE.

REMOVAL OF AKRAPOVIČ SLIP-ON EXHAUST SYSTEM:

Put the vehicle onto a car lift.

- !** **WARNING: make sure, that car lifting is safely and correctly done or you risk vehicle damage, injury or even death!**
- 1. Please check the Akrapovič Slip-on installation instructions for correct disassembly of exhaust system.
- !** **WARNING: make sure, that you not to injure yourself or damage any part of the vehicle during disassembly procedure! Use personal protection equipment!**

REMOVAL OF STOCK DOWN PIPE:

1. Unscrew the marked nuts and remove the two chassis reinforcements (Figure 1).

! **WARNING:** make sure, not to injure yourself or damage any part of the vehicle during this procedure!

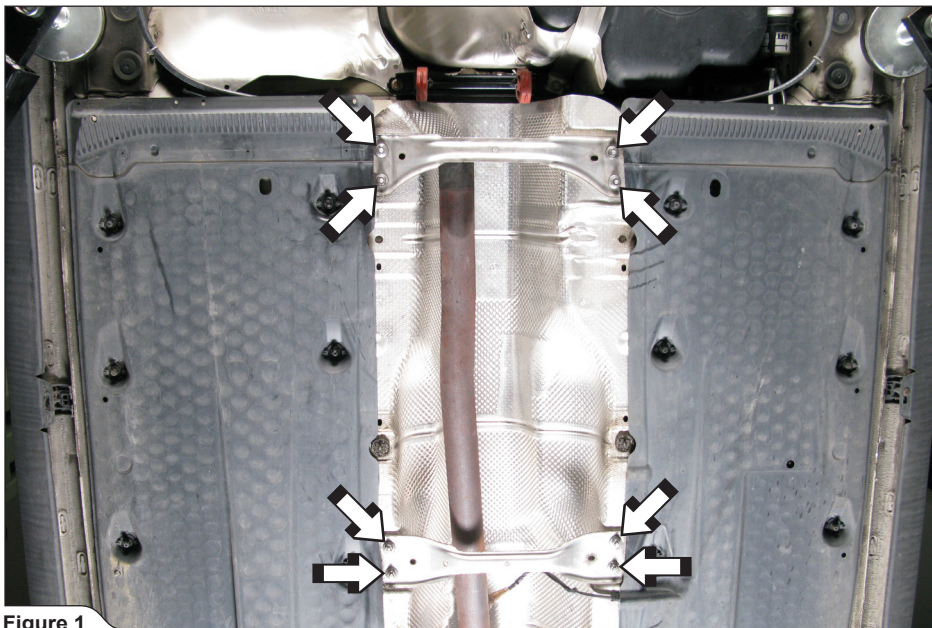


Figure 1

2. Unscrew the marked rear lambda sensor (Figure 2).

! **WARNING:** make sure, not to damage the sensor's wiring harness!

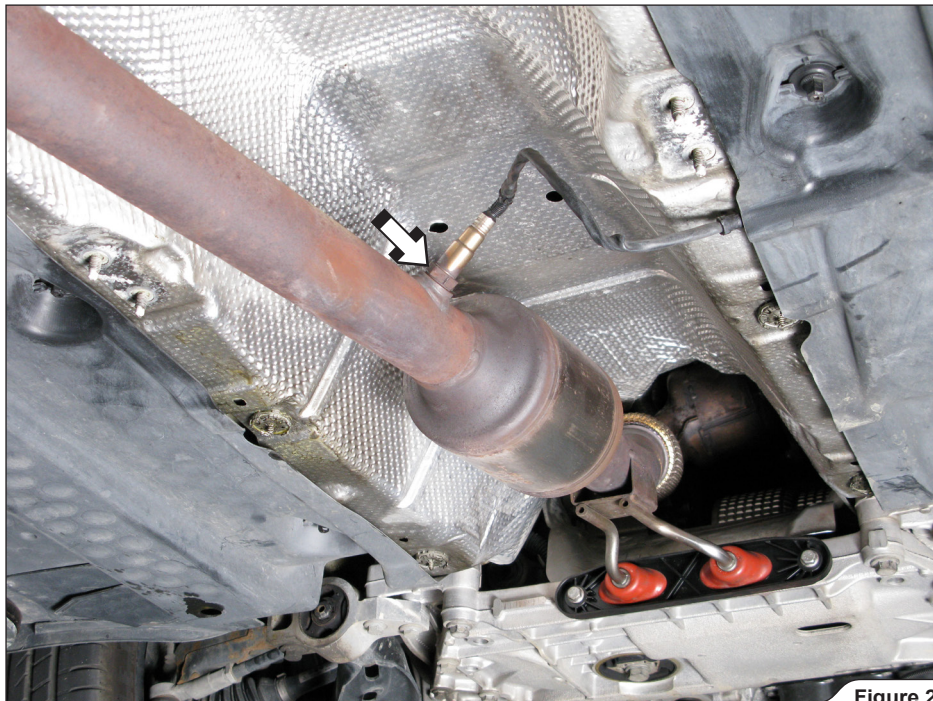


Figure 2

3. Unscrew the marked bolts and remove the output shaft's shield (**Figure 3**).

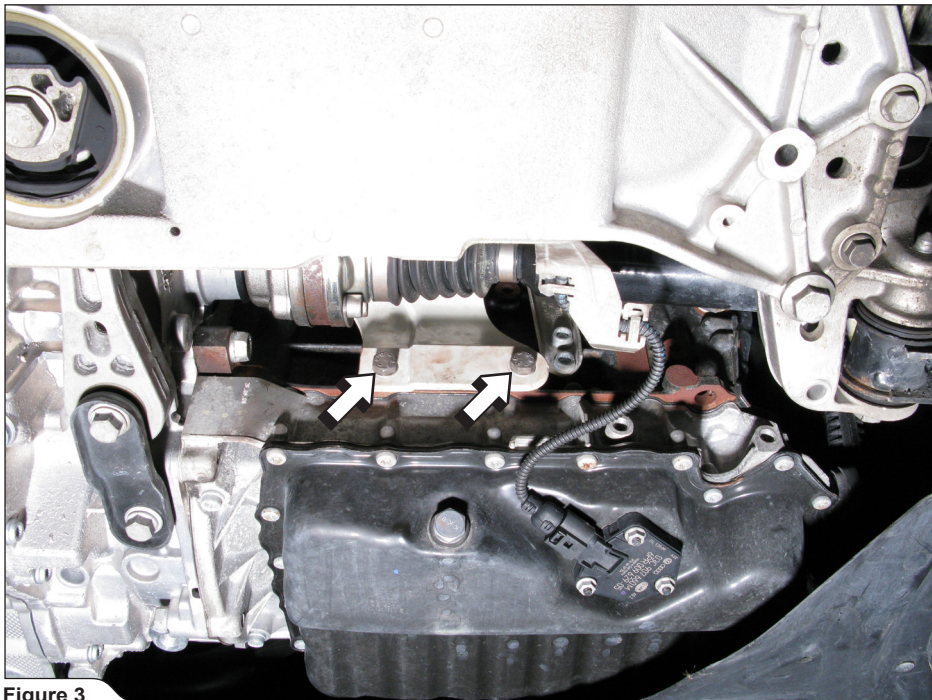


Figure 3

4. Unscrew the six output shaft's bolts and remove the shaft out of the way (Figure 4, 5).

! **WARNING:** make sure, not to damage the bolts, output shaft or any other part of the vehicle during this procedure!

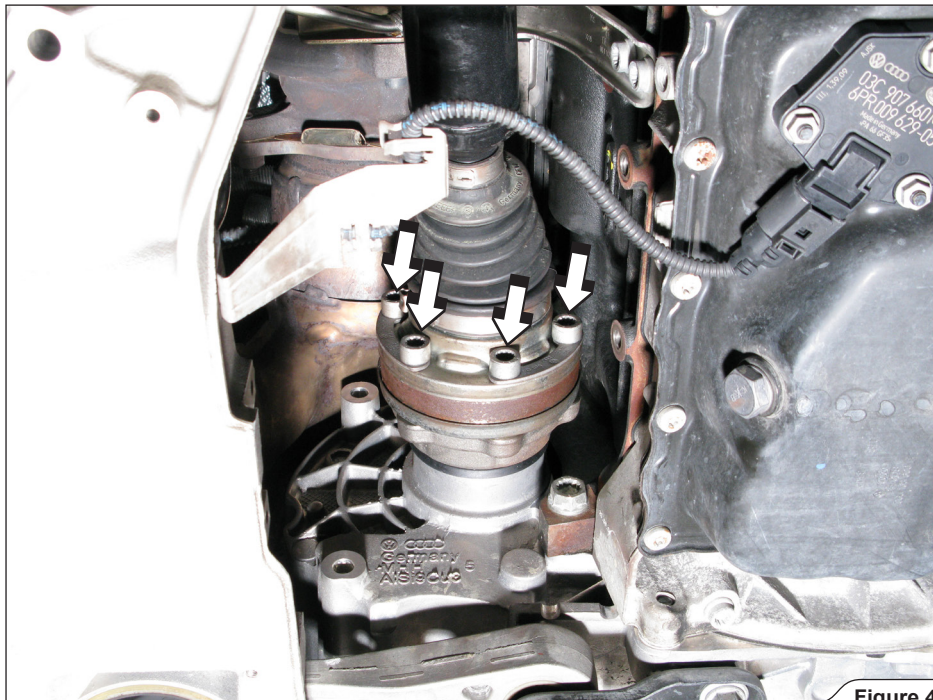


Figure 4

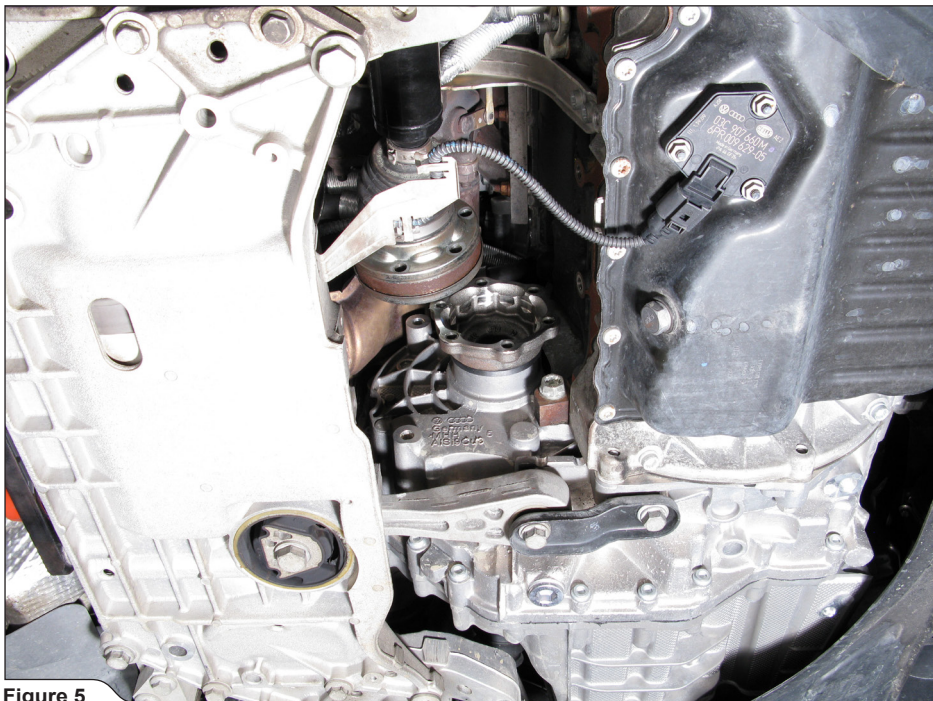


Figure 5

5. Unscrew the stock down pipe's flange nuts (Figure 6, 7).

! **WARNING:** make sure, not to damage the turbine casing, double ended stud bolts, nuts or any part of the vehicle during this procedure!

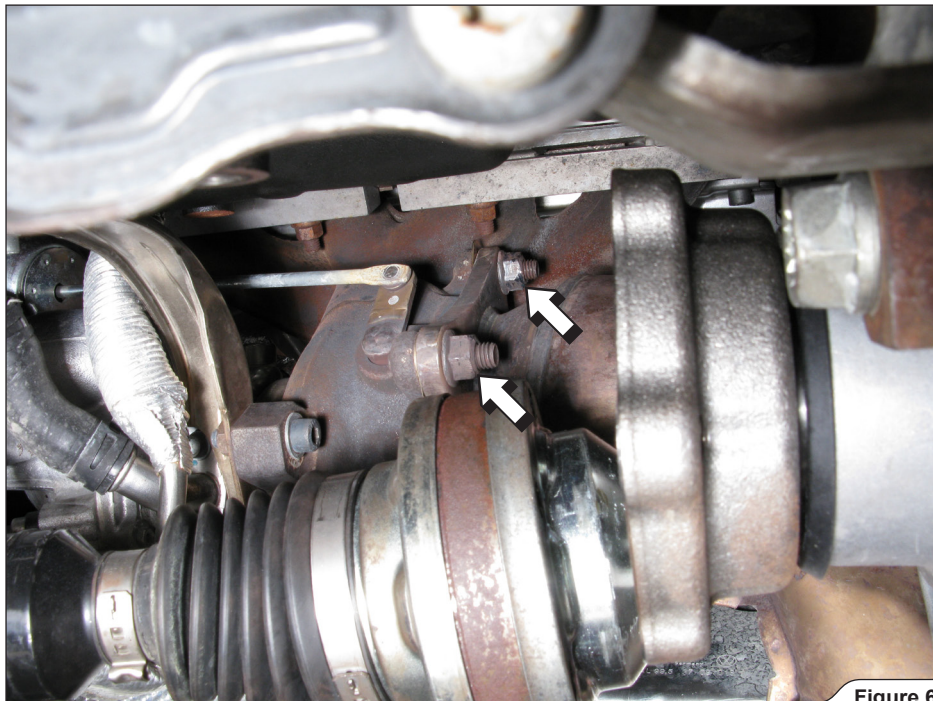


Figure 6

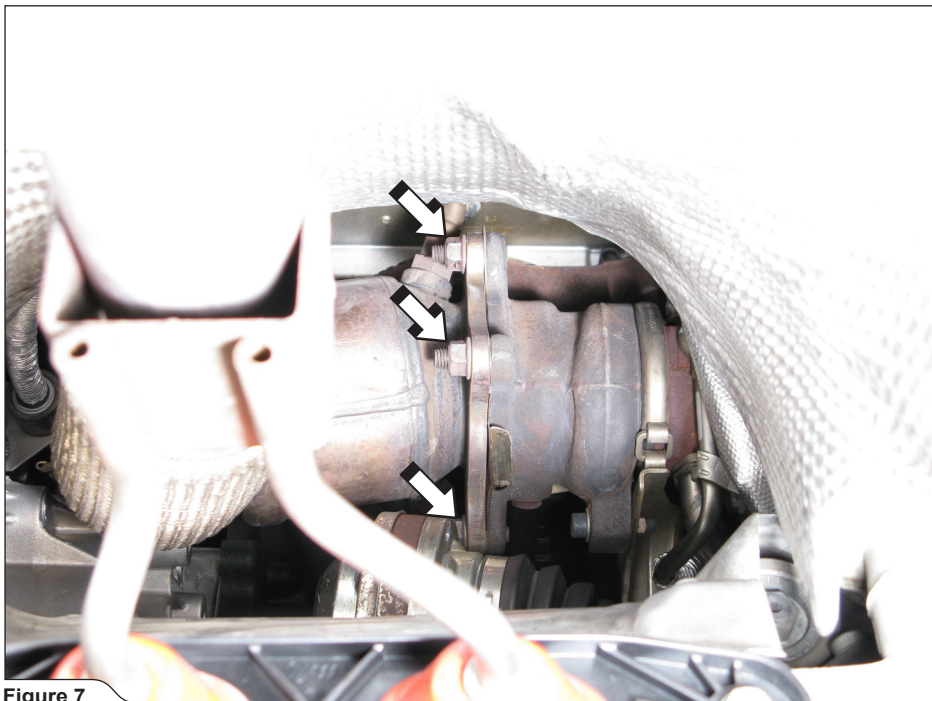


Figure 7

6. Unscrew the down pipe's bracket and lower the down pipe onto the axle support (**Figure 8, 9**).
! **WARNING:** make sure, that you support the stock down-pipe during this procedure or you could injure yourself or damage the vehicle!
! **WARNING:** be careful, not to damage the front lambda sensor's wiring harness during this procedure!

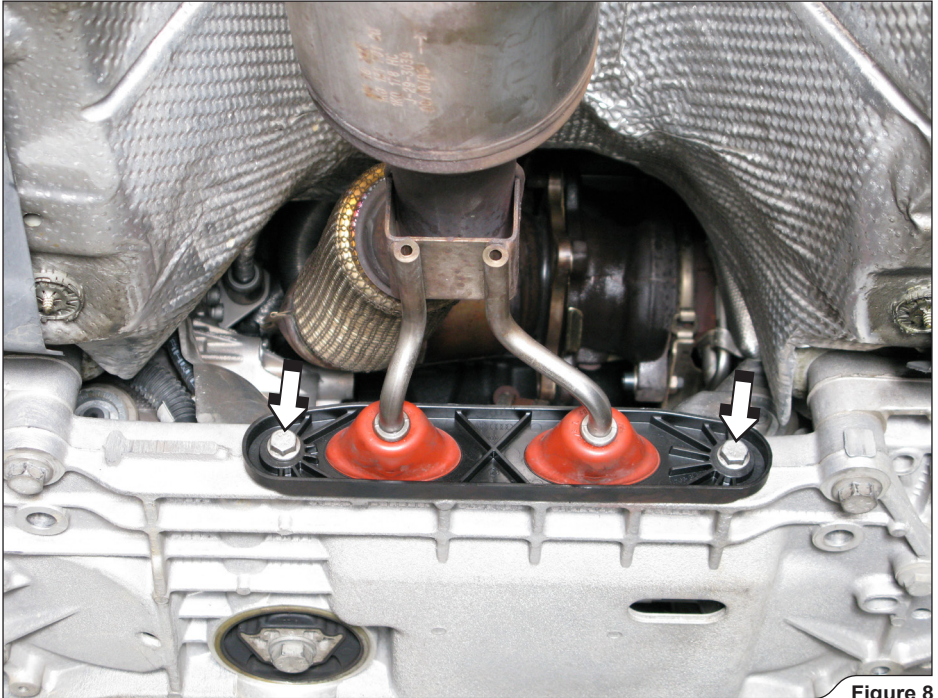


Figure 8

7. Unscrew the front lambda sensor and remove the down pipe off the vehicle (Figure 9).

! **WARNING:** make sure, that you support the stock down-pipe during this procedure or you could injure yourself or damage the vehicle!

! **WARNING:** be careful, not to damage the front lambda sensor's wiring harness or any other part of the vehicle during this procedure!



Figure 9

INSTALLATION OF THE AKRAPOVIČ DOWN PIPE AND LINK PIPE:

1. Attach the stock bracket onto the Akrapovič Down Pipe (**Figure 10**).

✘ **INSTALLATION TIP:** for easier mounting, lubricate the original rubber brackets.



Figure 10

- Assemble the Akrapovič Down Pipe in the reverse order from the order in which the original was removed. Tighten the front lambda sensor (Figure 11, 12, 13).

- ! **CAUTION:** use new exhaust gasket in Akrapovič Down Pipe - turbine housing joint!
- ! **WARNING:** use anti-seize copper paste on all nut and lambda threads!
- ! **WARNING:** be careful, not to damage the front lambda sensor's wiring harness or any other part of the vehicle during this procedure!

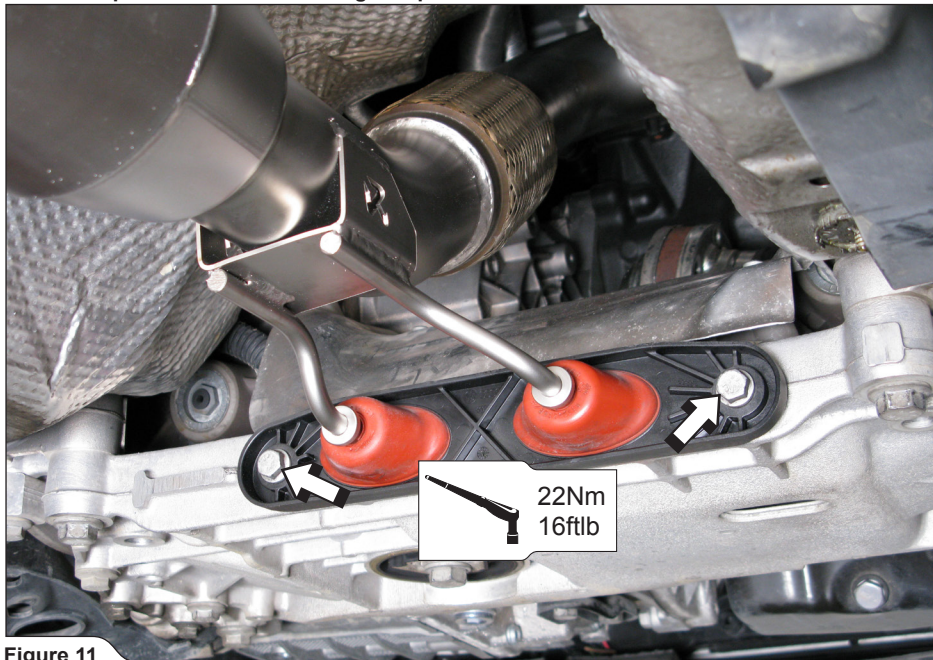


Figure 11

! **WARNING:** first hand tighten all Down Pipe's nuts, then fully tighten them to a specified torque using crisscross pattern in three steps (Figure 12, 13)!

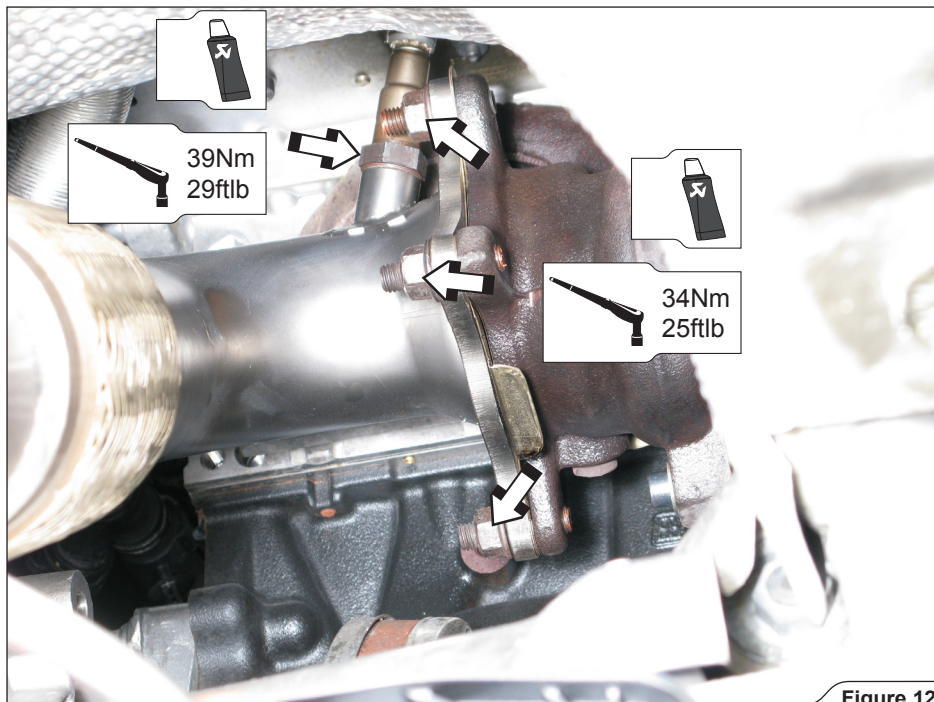


Figure 12

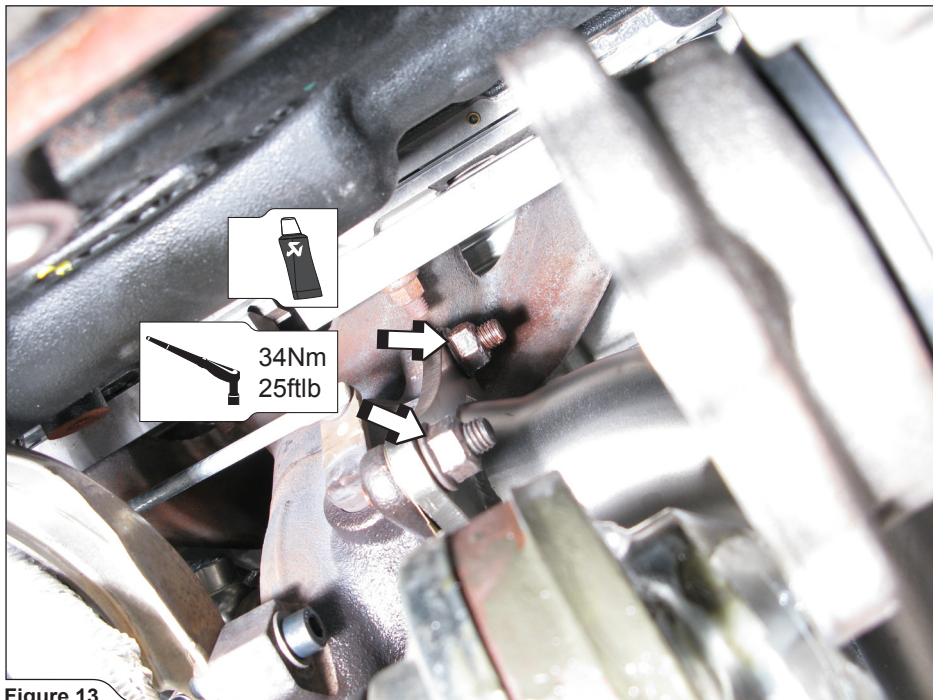


Figure 13

3. Reassemble the output shaft and shaft's shield (Figure 14, 15).

! **WARNING:** first hand tighten all bolts, then fully tighten them to a specified torque using crisscross pattern in three steps!

! **WARNING:** make sure, not to damage the bolts, output shaft or any other part of the vehicle during this procedure!

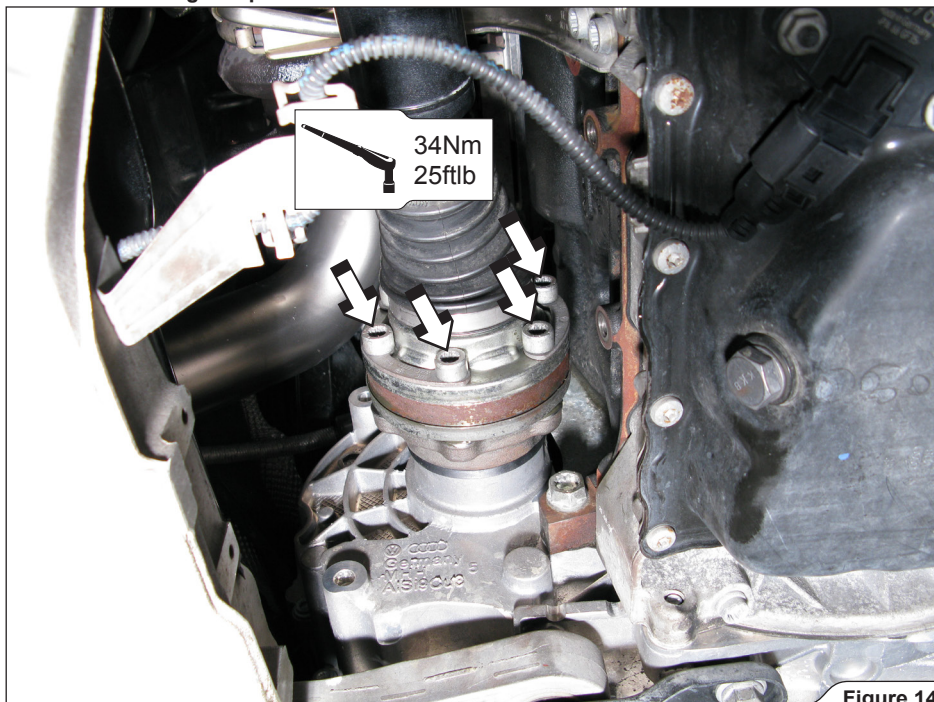


Figure 14

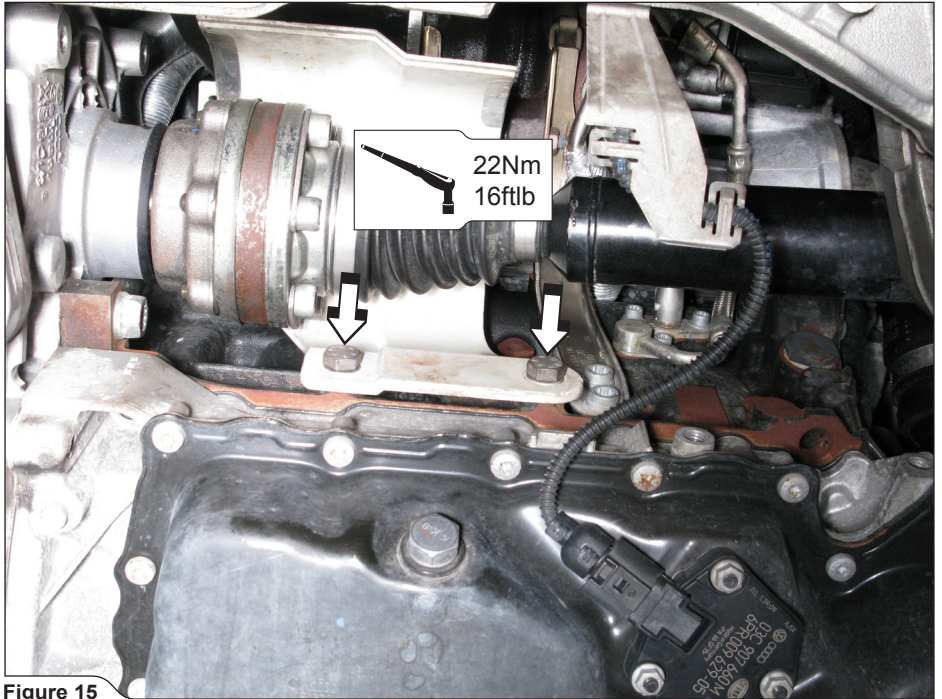


Figure 15

4. Screw the rear lambda sensor (Figure 16).

! **WARNING:** make sure, not to damage the sensor's wiring harness!

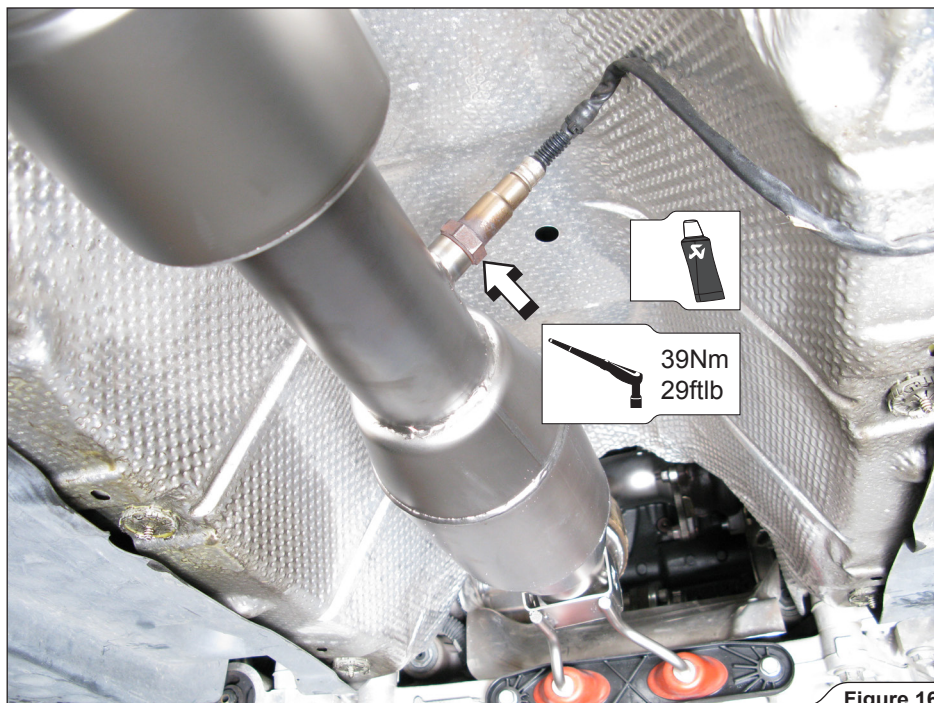


Figure 16

5. Assemble the two reinforcements back onto the chassis (Figure 17).

! **WARNING:** make sure, not to injure yourself or damage any part of the vehicle during this procedure!

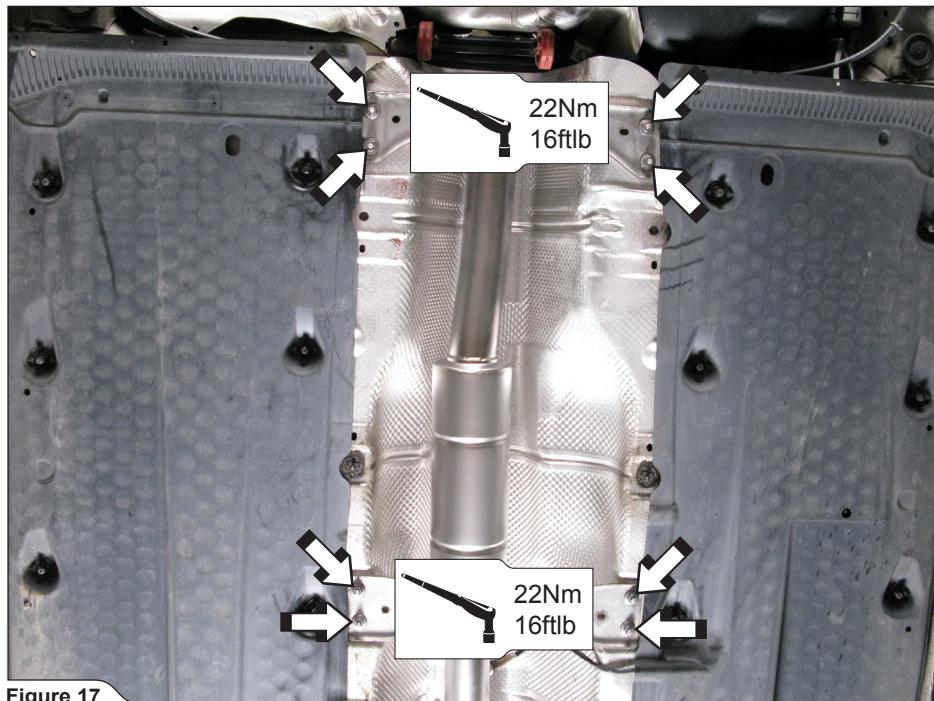


Figure 17

6. Slide the Akrapovič double clamp over the Link-Pipe's inlet, as shown (Figure 18).

! **WARNING:** use anti-seize copper paste on clamps' bolt and nut threads!



Figure 18

7. Hang the Akrapovič Link-Pipe onto three stock rubber brackets and slide the double clamp over the joint. Center the double clamp on the middle of the joint and tighten it to the specified torque (Figure 19, 20).

✂ INSTALLATION TIP: for easier mounting, lubricate the stock rubber brackets.

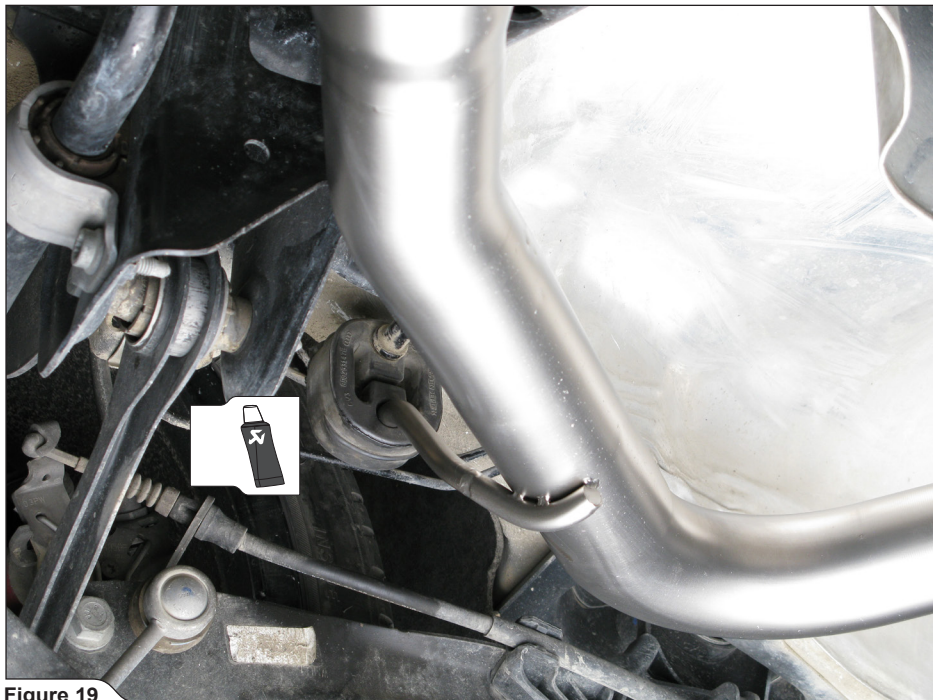
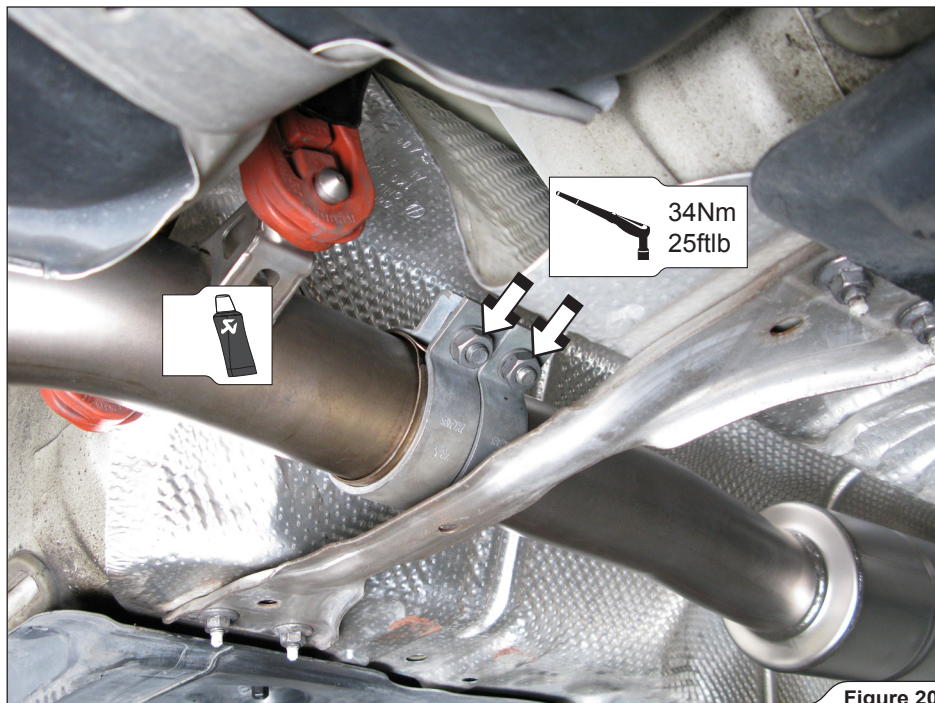


Figure 19



Final installation:

For reinstallation of Slip-On exhaust system, check the Akrapovič Slip-on installation instructions.

- ! **WARNING: check vehicle manufacturer manual for tightening torques (for dismantled stock parts)!**
- ! **WARNING: make sure all the nuts and bolts are sufficiently tightened. In case the exhaust system touches the cowling or other parts, repeat the adjustment of the exhaust system or contact your authorized dealer.**

MAINTENANCE OF THE AKRAPOVIČ EXHAUST SYSTEM

1. Clean the titanium exhaust components with a multi-purpose spray lubricant (WD-40 or equivalent), carbon fiber exhaust components with soft and dry cloth and stainless steel components with soft cloth sprayed with contact cleaner, then wipe with soft and dry cloth. A change in the color of the exhaust system is normal due to high temperatures.
2. Periodically make sure all the bolts and springs are sufficiently tight.

! **WARNING: clean all exhaust components before the first start of the engine or the stains will burn onto the surfaces!**

! **IT IS NORMAL IF WHITE SMOKE COMES OUT OF THE MUFFLER ON FIRST OPERATION.**

! **DO NOT STAND BEHIND THE MUFFLER ON FIRST OPERATION.**

! **DO NOT USE AUTOMOTIVE WHEEL CLEANERS OR ANY CLEANING PRODUCTS WHICH CONTAIN ACIDIC ADDITIVES TO CLEAN AKRAPOVIČ EXHAUST SYSTEMS.**

WARNING

Please note that certain aftermarket exhaust systems may not comply with applicable California laws and regulations, and may therefore be prohibited for use on California highways or roads, or on roads or vehicles otherwise subject to emissions control requirements.

Akrapovič exhaust systems for automobiles and motorcycles mounted downstream of the catalytic converter (also known as “cat-back systems”) are considered “replacement parts” in California by the California Air Resources Board (CARB), and do not require an exemption or executive order from CARB to be sold in California. However, California prohibits the use of any aftermarket exhaust system that modifies, removes or replaces original equipment catalysts, unless CARB has issued an Executive Order as to such part or system.

Further, Akrapovič parts or exhaust systems used or intended for use on “racing vehicles” (i.e. a competition vehicle used exclusively for competition on closed-course circuits) do not require an exemption or Executive Order from CARB to be sold in California. However, such parts are prohibited from use on California public highways or roads, even if occasionally used “off-road.”

www.akrapovic.com

